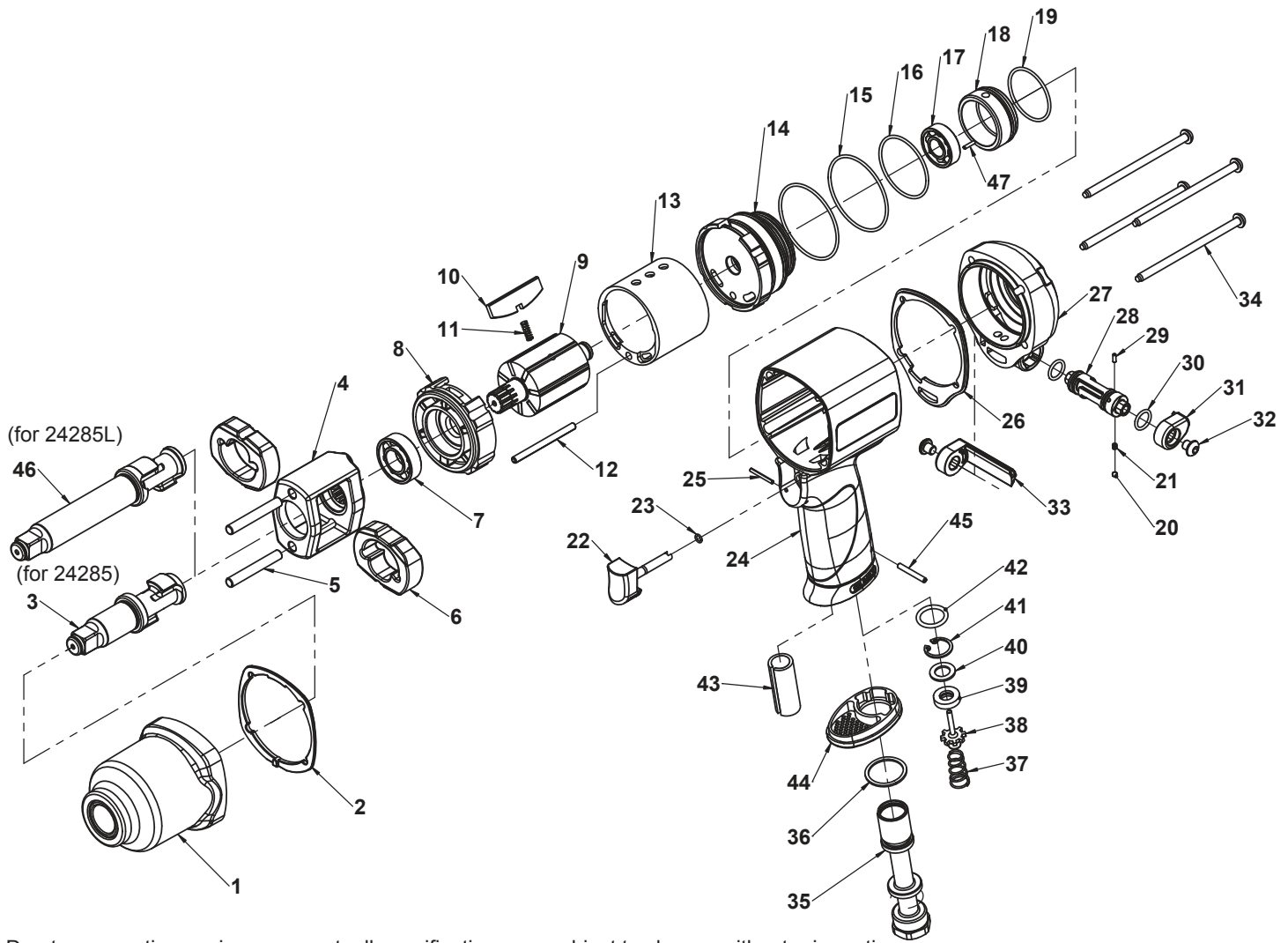


Technical Details	Speed	Square	Max. Reverse Torque	Length	Weight	Air Consumption	Air Inlet	Noise (DB)		Uncertainty(DB)	Vibration	Working Pressure
	RPM	Drive	Nm/ft-lb	mm/inch	kg/lb	LPM / CFM	inch	LpA	LwA	KpA	KwA	m/s <sup>2</sup>
<b>24285-065</b>	3,000	1/2	880 (650)	197 (7.8)	2.2 (4.8)	132 (4.6)	1/4	86.8	97.8	3	3.13	6.2(90)
<b>24285L-065</b>				248 (9.8)	2.3 (5.0)						3.05	



\* Due to our continuous improvement, all specifications are subject to change without prior notice.

Index No.	Description	Quantity	Index No.	Description	Quantity	Index No.	Description	Quantity
01	Front Casing Set	1	17	Ball Bearing	1	33	Knob	1
02	Packing	1	18	Plate	1	34	Screw	4
03	Anvil Set for 24285	1	19	O-Ring	1	35	Air Inlet	1
04	Hammer Cage	1	20	Steel Ball	1	36	Washer	1
05	Hammer Pin	2	21	Spring	1	37	Spring	1
06	Hammer	2	22	Trigger	1	38	Pin Valve Rod	1
07	Ball Bearing	1	23	O-Ring	1	39	Oil-Seal	1
08	Front Plate	1	24	Housing	1	40	Washer	1
09	Rotor	1	25	Spring Pin	1	41	Retaining Ring	1
10	Rotor Blade	7	26	Packing	1	42	O-Ring	1
11	Spring	7	27	Cover	1	43	Muffler	1
12	Spring pin	1	28	For. / Rev. Director	1	44	Exhaust Deflector	1
13	Cylinder	1	29	Pin	1	45	Spring Pin	1
14	Rear Plate	1	30	O-Ring	2	46	2" Anvil Set for 24258L	1
15	O-Ring	2	31	Knob	1	47	Spring Pin	1
16	O-Ring	1	32	Screw	2			